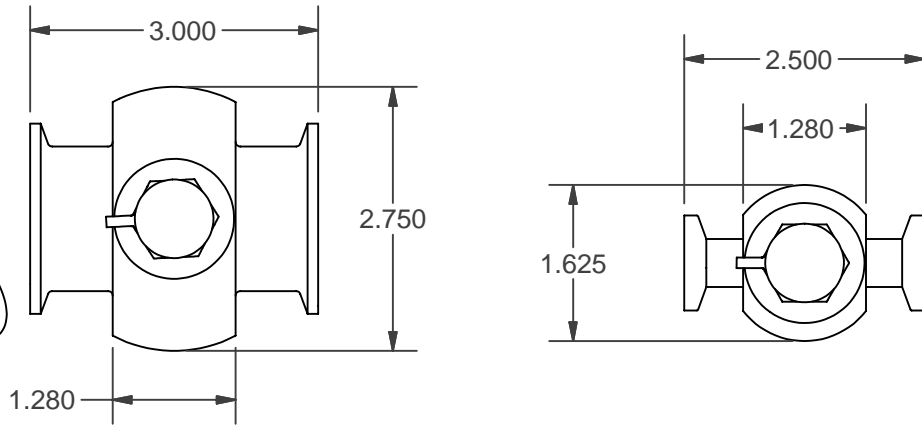
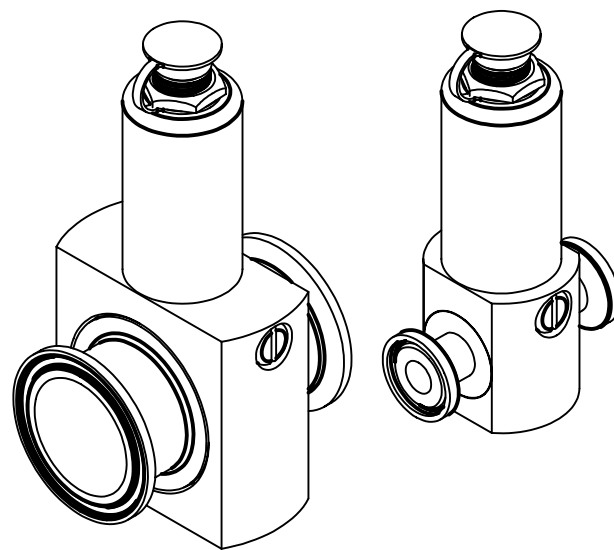


4

3

2

1



SPECIFICATIONS

Pressure Sensor Type: Sanitary Flow-Thru With Triclamp Flange Connection
Material In Contact With Measurand: See Ordering Info
 Tube Id 02 Available Only In Titanium
Material: (Cover & Housing) 300 Series Stainless Steel
Max Pressure (No Damage): Twice Rated Range Or 750 Psi (Whichever Is Least)
Linearity & Hysteresis Combined: < 0.25% Of F.S.(B.F.S.L.)
Max Temperature: 275°F (Autoclaving) With Power Off (1 Hour Max).
Operating Temperature Range: -30°F To 175°F - Storage Temp -50°F To 250°F
Temperature Compensation:
 Zero Balance: Within .015% Of Full Scale Per °F
 Span: Within .020 % Of Reading Per °F

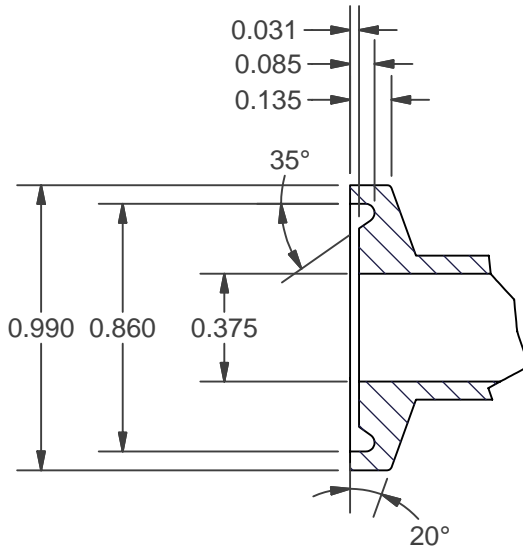
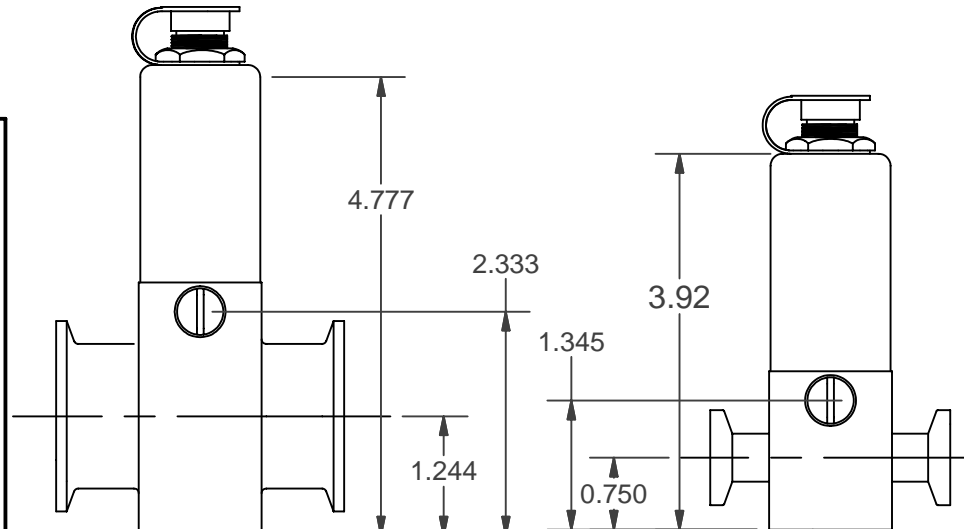
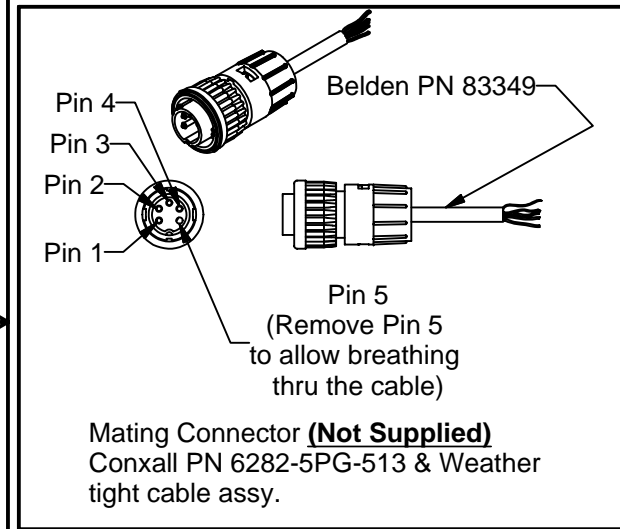
Excitation Voltage: 10 To 25 V.D.C.
Full Scale Output Change At 70°F: See Ordering Info
Shock: 500 G's All Axes
Connector And Cable Assembly Color Code: (Mate Not Supplied)
 Pin 1..... Red.....+ Supply (10 To 25 V.D.C.)
 Pin 2 ... Green....+ Signal
 Pin 3... Black.... Common
 Pin 4... White..... Shunt Calibration
 Yellow...Cable Shield
Shunt Calibration: Shorting White (Pin 4) And Black (Pin 3) Simulates The Output Signal
 Recorded On The Nameplate

Caution Sensor Is A Psig Device
 Reference To Atmosphere Is Accomplished Thru The Cable Assembly.
 End Of Cable Must Be Connected To A Clean & Dry Pressure Reference,
Pressure Ranges Available:
 0 To 50 Psig, 0 To 100 Psig, 0 To 200 Psig, 0 To 300 Psig, 0 To 400 Psig, And 0 To 500 Psig.
 For Other Ranges, Consult DJ Instruments

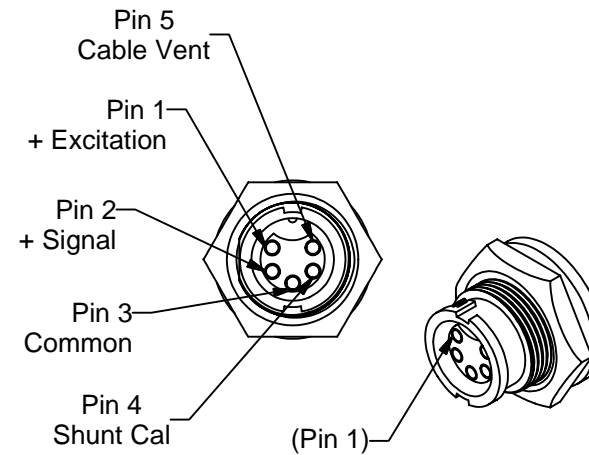
Ordering Information:

SFT - XX - XXX - XX - XX

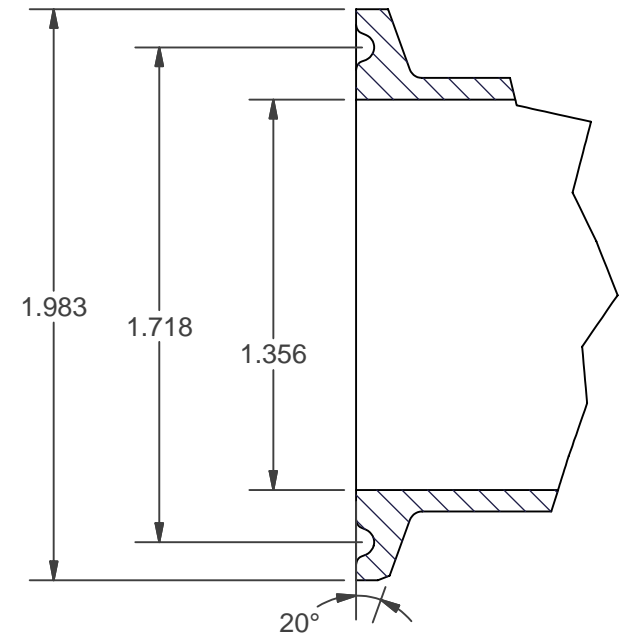
WETTED MATERIAL	FULL SCALE PRESSURE RANGE	TUBE ID	OUTPUT OPTIONS
-SS Stainless Steel	50	-01 : 0.375	01 : 0.500 TO 5.500 VOLTS
-TI Titanium	100		
	200		
	300	-02 : 1.356	03: -14.7 PSI TO FULL SCALE (SEE A-52582)
	400		
	500		



Flange Detail



Connector Code Transducer side



Flange Detail

CONFIDENTIAL - This document contains proprietary and confidential information of DJ Instruments. No part of the information contained herein may be used, reproduced or disclosed to third parties without the prior written consent of DJ Instruments.

DRAWN BY: Lou DATE: 1/9/1998 MATERIAL: DJ Instruments

CHECKED BY:	DATE:	FINISH:	SCALE
UNLESS OTHERWISE SPECIFIED DIMENSIONS ARE IN INCHES			SHEET 1 OF 1
TOLERANCES ON: DECIMALS 2 PLACE: ±0.01 3 PLACE: ±0.005 FRACTIONS: ± 1/64 ANGLES: ±0.25°			57747
Model SFT thru-FLO™ SANITARY PRESSURE TRANSDUCER			SIZE B 52290 REV P

4

3

2

1