



INSTALLATION DATA MANUAL
MODEL 243 & 343
PRESSURE TRANSDUCER

3829 Forest Parkway, Suite 500
Wheatfield, NY 14120
Int'l: 1-716-629-3800
Toll Free: 1-800-688-0030
Fax: 1-716-693-9162
www.viatran.com
solutions@viatran.com

All information in this document is based on a standard Model 243/343 without options. If you are unsure or have questions about your product, please contact our Application Engineers for assistance.

GENERAL REQUIREMENTS & CAUTIONS

1. All electrical & pressure connections should be compatible with the model specifications as outlined below.
2. Installation should occur only after electrical (input power) and line pressure is verified as being off and at zero.
3. The product's internal electrical circuitry is isolated from case ground. It is not recommended that the case or ground of the unit be connected to pins 1, 2, or 3 of the product or wiring system. Ground loops and line noise will affect the product's performance and may cause internal electrical failure.
4. All products should be protected from direct or continued exposure to fluids at the electrical connection. It is recommended that for products installed in areas where the potential for contamination at the electrical connection is possible, protective measures be taken to eliminate possible deterioration of the product's electrical connection.
5. On some lower range models, a breather opening with breather plug, is used to allow for proper product function. At no time should any mist, vapor, or fluid be permitted to enter this breather as unit failure may occur. A protective cover may be required.
6. At no time should any object be inserted into the pressure port or pressed against the sensing area to deflect the sensor (to test or simulate pressure), as on some models permanent damage to the sensing diaphragm may occur.

MAINTENANCE

All Viatran transducers have been designed to function free from routine or scheduled maintenance. Simple cleaning of the electrical connector, pressure port threads, and pressure cavity, on an as needed basis, will provide many years of satisfactory performance.

Protecting the product from continued exposure to moisture or fluids at the electrical connection could eliminate premature internal failure of the product. In general, any time the product is removed from service, the connector and pressure port threads should be cleaned and the pressure cavity flushed with a cleaner compatible to the specified wetted parts to prevent media buildup if needed.

ACCESSORIES – OPTIONAL EQUIPMENT

Please contact Viatran for these and other available accessories.

Adapters
Mating Connectors
Protective Cover

WARRANTY

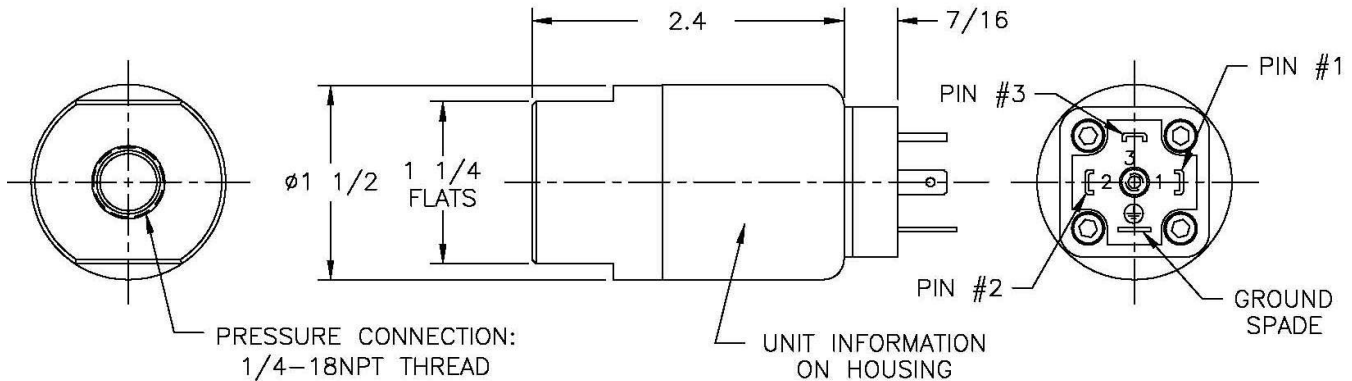
Viatran Corporation warrants that its products shall be free from defective workmanship and/or material for a period of twelve (12) months from the date of shipment, provided that Viatran's obligation hereunder shall be limited to correcting any defective workmanship and/or replacing any defective material f.o.b. factory. No allowance will be made for any expense incurred for correcting any defective workmanship and/or material without written consent by Viatran. This warranty is in lieu of all other warranties expressed or implied.

REPAIR INSTRUCTIONS

Viatran's Transducers are designed to be easily repaired and recalibrated if necessary. If a failure occurs, the transducer should be returned to the factory for inspection and testing. Please contact the Customer Support Department at 1-800-688-0030 for a return tracking number and/or a repair cost estimate. A nominal inspection fee is charged on all units returned to the factory which are not subsequently repaired.

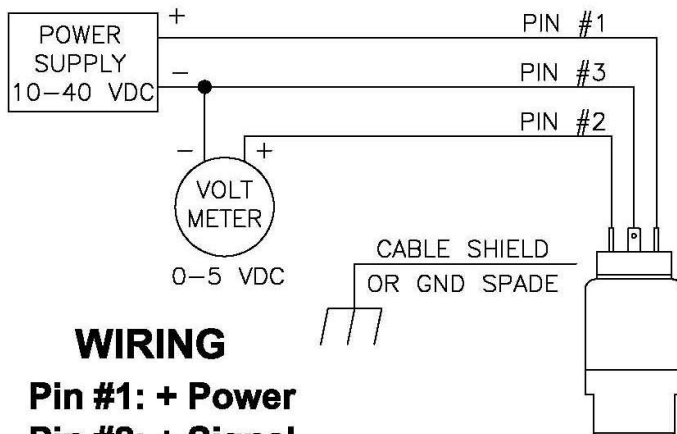
INSTALLATION DATA - VIATRAN MODEL 243/343

Note: The drawing below is for informational purposes only and is not to scale.
All dimensions are nominal, in inches and for reference purposes only.



CONNECTION DIAGRAMS & WIRING

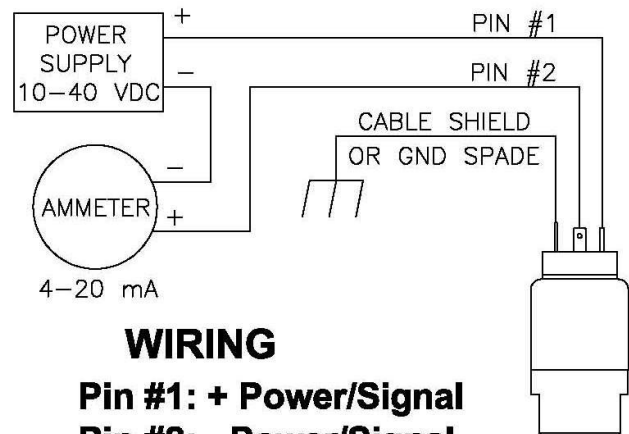
MODEL 243



WIRING

- Pin #1: + Power**
- Pin #2: + Signal**
- Pin #3: Common (- Power/Signal)**
- Ground Spade: Case Ground**

MODEL 343



WIRING

- Pin #1: + Power/Signal**
- Pin #2: - Power/Signal**
- Pin #3: No Connection**
- Ground Spade: Case Ground**

3829 Forest Parkway, Suite 500
Wheatfield, NY 14120
Int'l: 1-716-629-3800
Toll Free: 1-800-688-0030
Fax: 1-716-693-9162
www.viatran.com

solutions@viatran.com